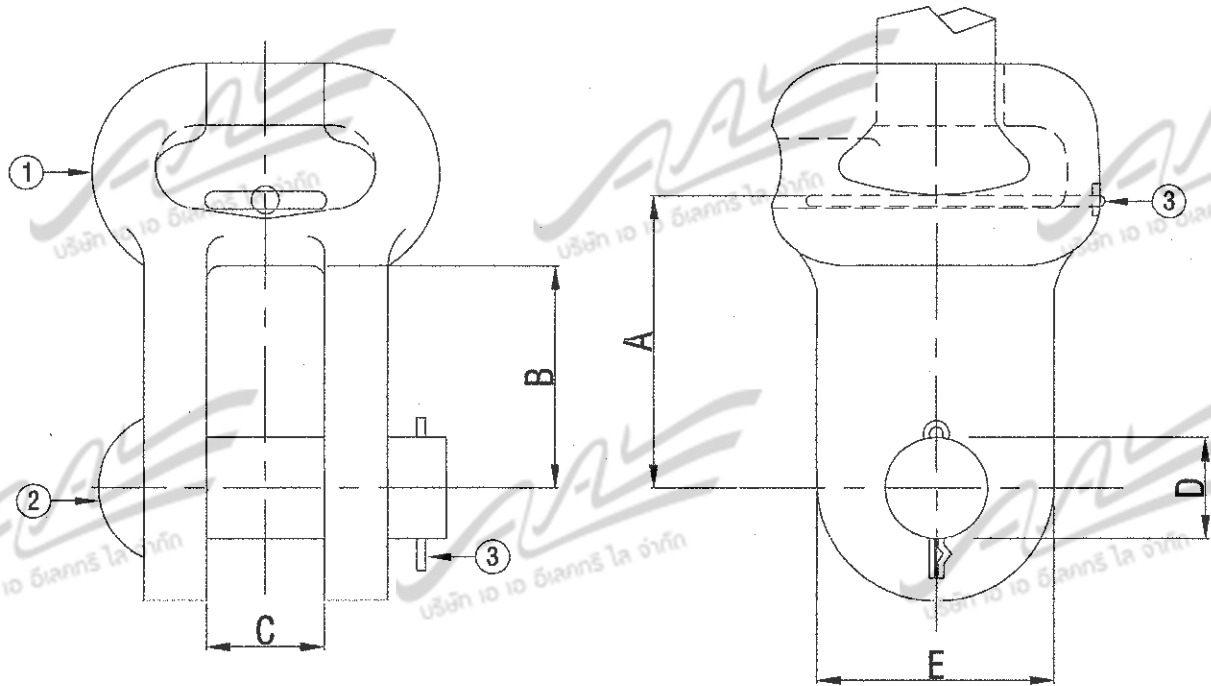


1030140007 ข้อต่อแบบ ข้อคเก็ด-เคลวิส



No.	Product Code (PEA Mat. No.)	Product Type	Dimension in mm					Socket size	Ultimate Strength (kg)	Material & Surface Finishing
			A	B	C	D	E			
1	1030140006	SOCKET CLEVIS	54-77	41-46	19-23	16($\frac{5}{8}$)	38-54	ANSI TYPE B	minimum 8200	①. Malleable or Ductile Iron. ②. Mild Steel. ③. Stainless steel. ① and ② Zinc Coating Thickness (Hot Dip Galvanized) According to PEA Standard [minimum 86 microns]
2	1030140007	SOCKET CLEVIS	79-112	39-73	23-29	22($\frac{7}{8}$)	57-70	ANSI TYPE K	minimum 22700	

ต้นฉบับ

Tolerance ±5%

Draft by 	A A ELECTRI LI CO.,LTD. 95 Moo5, Lumpo, Bangbuatong Nonthaburi, Thailand,11110 02 158 4576 - 7 www.aal2008.com	SOCKET CLEVIS	PEA Material No. 1030140007	Scale	Dimension	Sheet
			PEA Specification No. R-911/2546	NTS	mm.	1 / 1
Approve by 		ข้อต่อแบบ ข้อคเก็ด-เคลวิส	Material See on drawing			
			Revision	DWG No. 1030140007-01-S-00-01		